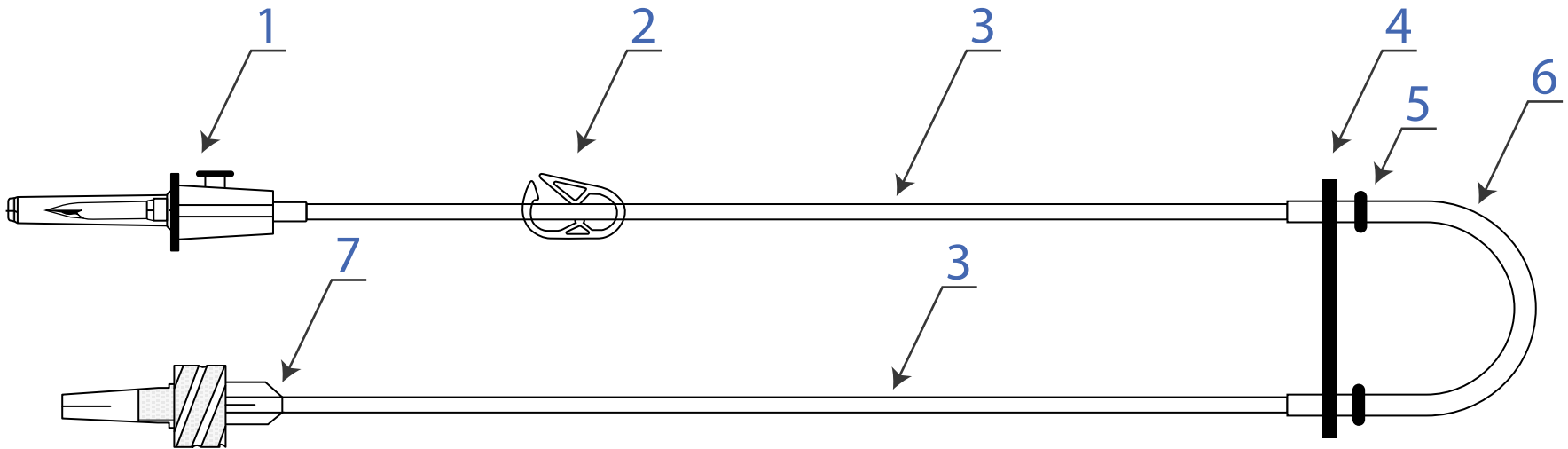


### HCTPA01

Peristaltic pump sets for the PharmAssist pump.



No.	Description	Material	Dimension	ID	OD	Wall	Hardness
1	Spike & Cap	ABS					
2	Pinch Clamp	ABS					
3	Non-DEHP PVC Tubing	PVC	152cm	2.6mm	3.6mm	0.5mm	80A
4	Bridge Insert	ABS					
5	Plastic Tie	PA					
6	Silicone Tubing	Silicone	21.5cm	3.2mm	6.4mm	1.6mm	59A
7	Male Luer & Cap	ABS					